

# **LUCCI AIRLIE HUGGER CEILING FAN**

- **INSTALLATION**
- **OPERATION**
- **MAINTENANCE**
- **WARRANTY INFORMATION**

## **CAUTION**

**READ INSTRUCTIONS CAREFULLY FOR SAFE**

**INSTALLATION AND FAN OPERATION.**

## THANK YOU FOR PURCHASING

Thank you for purchasing this quality Lucci product. To ensure correct function and safety, please read and follow all instructions carefully before assembly, installation and use of this ceiling fan. Please keep instructions for future reference.

## SAFETY PRECAUTIONS

The information contained in the following pages has been prepared to ensure you of trouble-free operation of your ceiling fan.

1. This appliance can be used by children aged from 8 years and above and persons with reduced physical, sensory or mental capabilities or lack of experience and knowledge if they have been given supervision or instruction concerning use of the appliance in a safe way and understand the hazards involved. Cleaning and maintenance shall not be undertaken by children without supervision.
2. Children should be supervised to ensure that they do not play with the appliance.
3. An all-pole disconnection switch must be incorporated into the fixed wiring, in accordance with local wiring rules.



4. Do not dispose of electrical appliances as unsorted municipal waste, use separate collection facilities. Contact your local government for information regarding the collection systems available. If electrical appliances are disposed of in landfills or dumps, hazardous substances can leak into the groundwater and get into the food chain, damaging your health and well-being.
5. The structure to which the fan is to be mounted must be capable of supporting a weight of 30kg.
6. The fan should be mounted so that the blades are at least 2.3 metres above the floor
7. This fan is designed for indoor use only. Mounting the fan in a location where it is subject to water or moisture is dangerous and will void the warranty.
8. Only a licensed electrician should execute the installation.
9. **WARNING:** If unusual oscillating movement is observed, immediately stop using the ceiling fan and contact the manufacturer, its service agent or suitably qualified persons.
10. The replacement of parts of the safety suspension system device shall be performed by the manufacturer, its service agent or suitably qualified persons.
11. The fixing means for attachment to the ceiling such as hooks or other devices shall be fixed with a sufficient strength to withstand 4 times the weight of the ceiling fan; that the mounting of the suspension system shall be performed by the manufacturer, its service agent or suitably qualified persons.



## BEFORE INSTALLATION

- Unpack the fan carefully. Remove all parts and hardware.
- Lay out all the components on a smooth surface and make sure there are no components missing before assembling. If parts are missing, return the complete product to the place of purchase for inspection or replacement.
- Check whether the ceiling fan has been damaged during transport. Do not operate/install any product which appears damaged in any way. Return the complete product to the place of purchase for inspection, repair or replacement.
- Examine all parts, you should have the following (refer to Fig 1.)

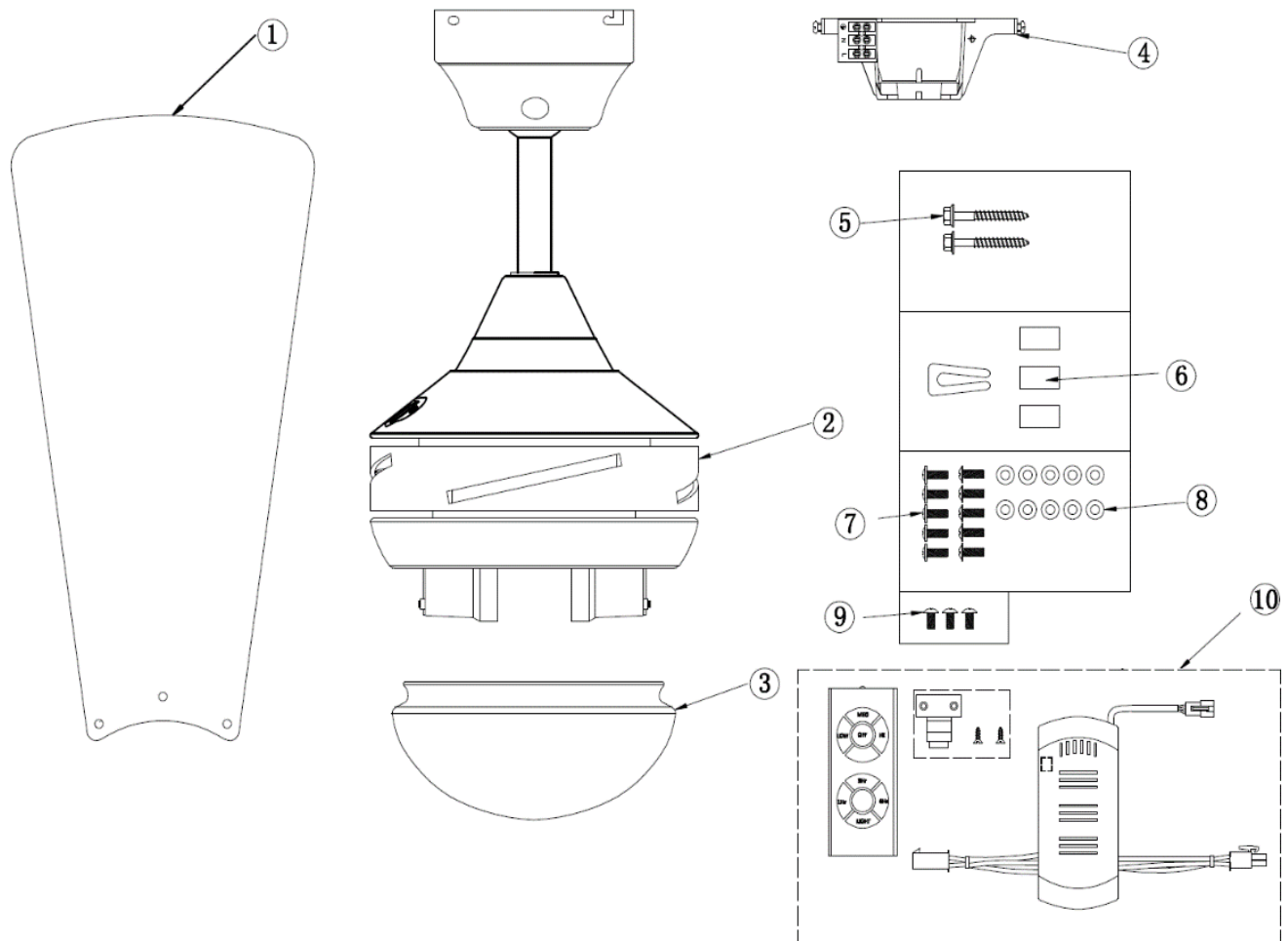


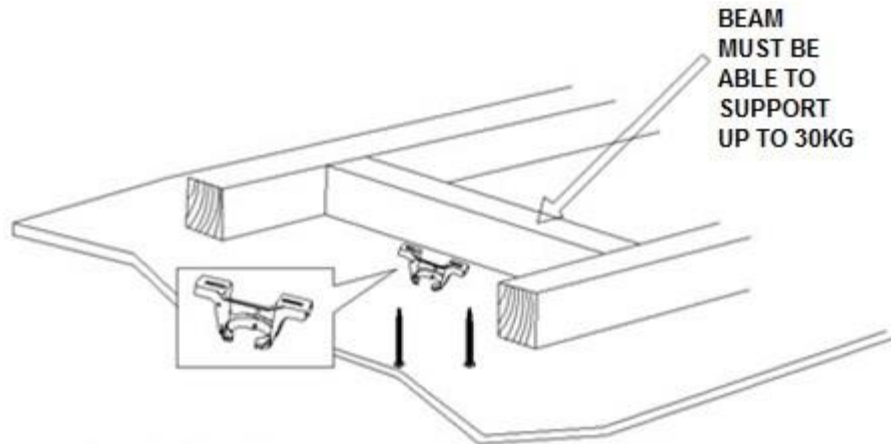
Fig. 1

1. Blades x 3
2. Pre-assembled Fan motor, down rod, and canopy x 1
3. Glass shade x 1
4. Mounting Bracket x 1
5. Wooden screws for mounting bracket x 2
6. Balancing kits x 1 set
7. Blade screw x 10
8. Flat washer x 10
9. Screw for close to ceiling installation x 3
10. Remote control x 1 set



## INSTALLING THE MOUNTING BRACKET

- The ceiling fan must be installed in a location so that the blades are a minimum 300mm spacing from the tip of the blade to the nearest objects or walls.
- Secure the mounting bracket to the ceiling joist or structure that is capable of carrying a load of at least 30kg, with the two long screws provided. Ensure at least 30mm of the screw is threaded into the support.



NOTE: THIS PICTURE IS FOR REPRESENTATION ONLY AND DOES NOT REPRESENT THE ACTUAL BRACKET

Fig. 2

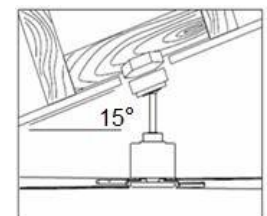
**NOTE:** The bracket screws provided are for use with wooden structures only. For structures other than wood, the appropriate screw type **MUST** be used with a Hex Washer Head.



### **Angled Ceiling Installation (Fig. 3)**

This fan hanging system supports a maximum 15 degree angled ceiling installation.

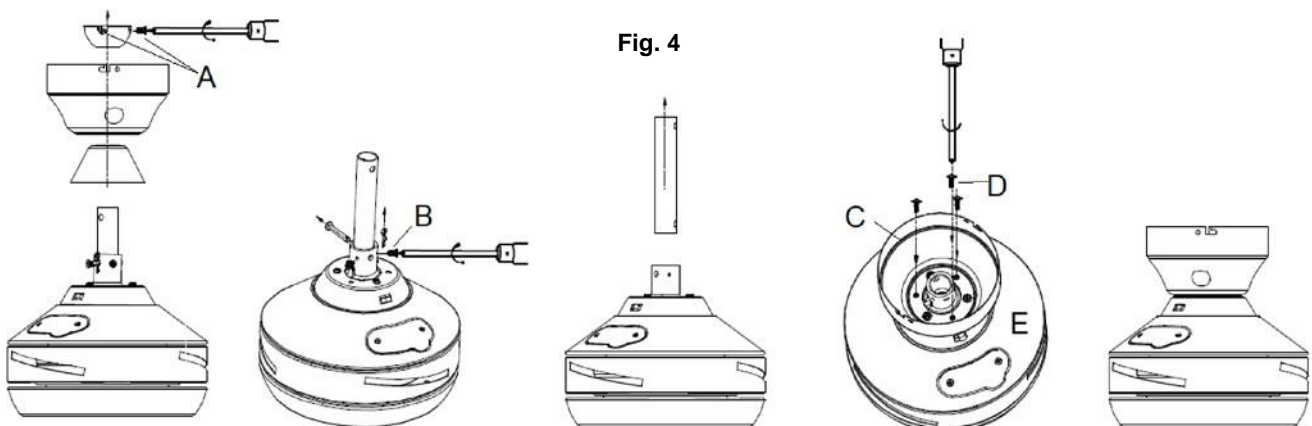
Fig. 3



### **Closed to Ceiling Installation (Fig. 4)**

Loosen the set screws (A) to remove the ball joint, canopy and coupling cover; loosen the set screws (B), and then remove the pin, bolt and down rod.

Attach the canopy (C) to the fan body (E), and secure it by 3 screws (D) supplied with the fan in the accessory bag.



## BLADE INSTALLATION

### **BLADE ATTACHMENT (Fig. 5)**

1. Remove the cover plate (2) from the top of the motor housing, by loosening the two screws (1). This will allow access to the three blade mounting screw holes.
2. Insert the blade (4) into the side slot of rotating member of fan motor assembly.
3. Align the three mounting holes on the blade to the three mounting holes on the rotating member of fan motor assembly and using the blade screws & flat washers (3) to secure the blade to the fan motor assembly, ensuring they are tightened equally and evenly.

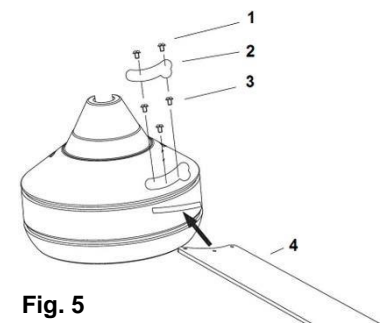


Fig. 5

(Take care not to over tighten as this can damage the blades).

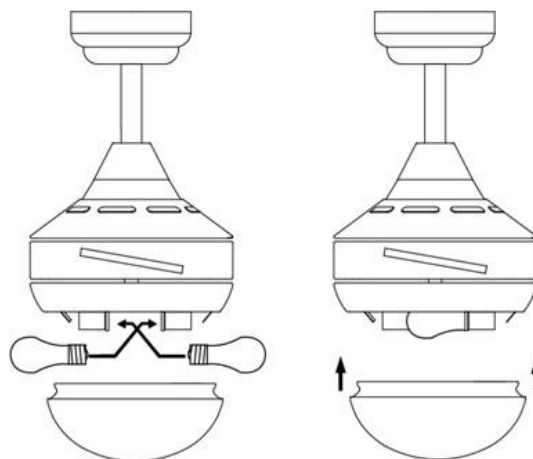
4. Once completed, repeat the process for the remaining blades.
5. Reinstall the cover plate (2) with the screws (1) on top of the motor housing.

### **LIGHT KIT INSTALLATION (Fig. 6)**

**NOTE: FOR FAN MODELS WITHOUT LIGHT, DISREGARD THIS INSTALLATION STEP.**

1. Install globes (not included) into the lamp holders. Max. 15W. Do not exceed the maximum wattage rating. Energy saving LED or CFL spiral globes must be used with this product.
2. Install the glass shade by carefully pushing up to cover the globes, so that it is secure by the three spring clips.

Fig. 6



**HANGING THE FAN**

**FAN WITH DOWN ROD (Fig. 7)**

Lift the fan assembly onto the mounting bracket. Ensure the key slot (A) of the hanger ball is positioned on the key pin (B) of the mounting bracket (C) to prevent the fan from rotating when in operation.

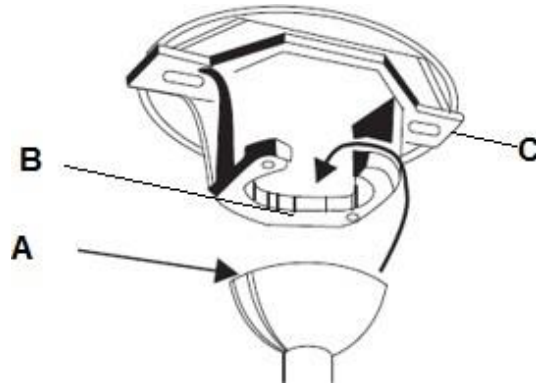


Fig. 7

**CLOSE TO CEILING (Fig. 8)**

Lift up the fan assembly and ensure the round hole (B) of the canopy is positioned into the hook (A) of the mounting bracket.

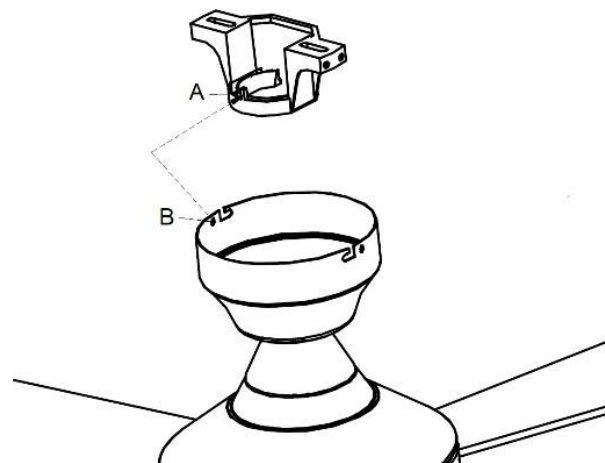


Fig. 8



## ELECTRICAL WIRING DIAGRAM

**WARNING:** FOR YOUR SAFETY ALL ELECTRICAL CONNECTIONS MUST BE UNDERTAKEN BY A LICENSED ELECTRICIAN.

**NOTE:** AN ADDITIONAL ALL POLE DISCONNECTION SWITCH MUST BE INCLUDED IN THE FIXED WIRING.

- Connect “LIVE” supply wire to the “L” of terminal block on the mounting bracket.
- Connect “NEUTRAL” supply wire to the “N” of terminal block on the mounting bracket.
- Connect “EARTH” wire to the “⊕” of terminal block on the mounting bracket.
- Connect the output connector (1) from the receiver to the connector (1) from the fan body.
- Connect the connector (2) from the fan mounting bracket to the input connector (2) from the receiver.
- Remove the heat-shrinkable tube from connector 3 and connect the connector (3) from the infrared detector to the input connector (3) from receiver.

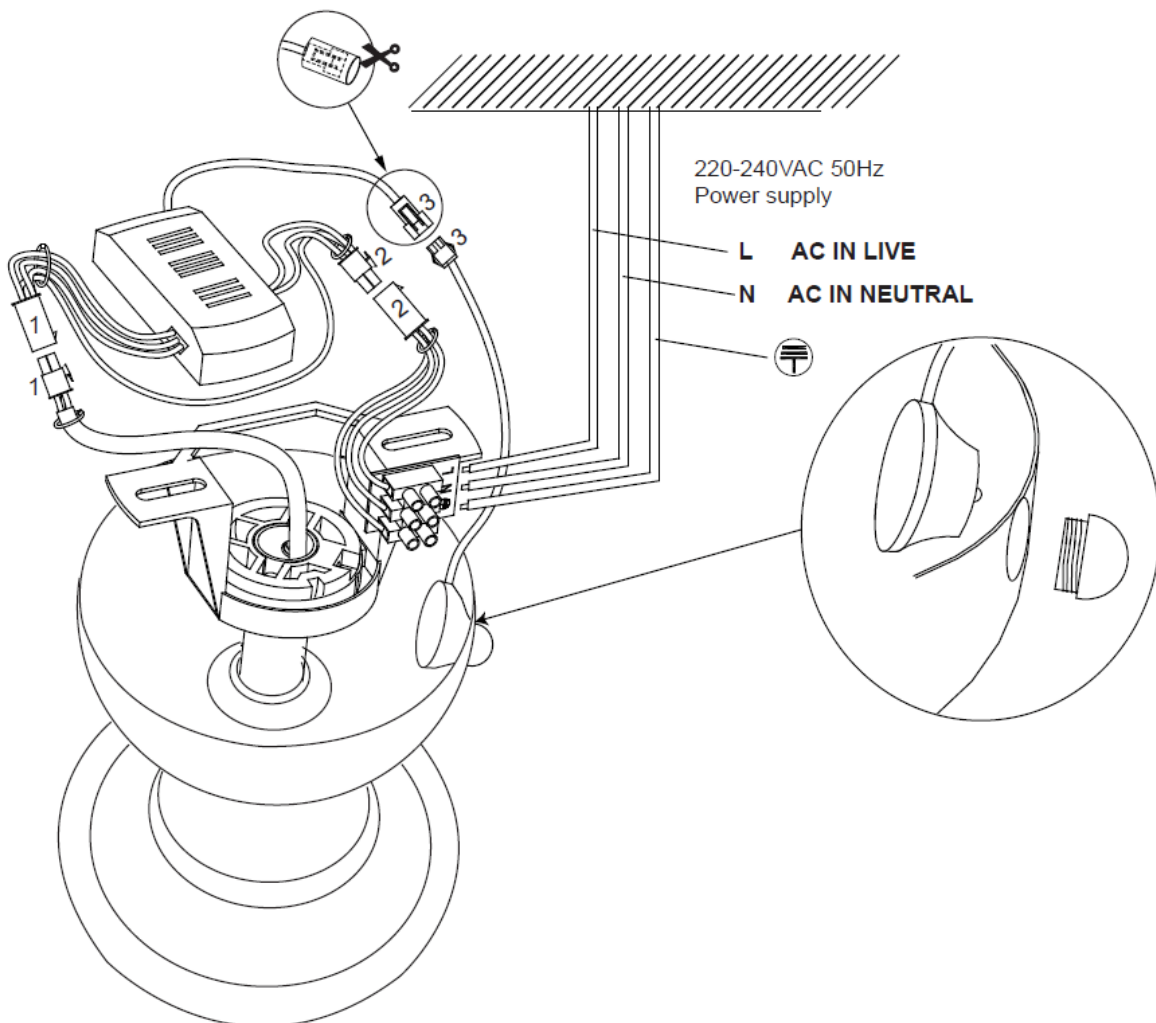


Fig. 9



## FINISHING THE INSTALLATION

- Cover the mounting bracket with the canopy. Ensure all electrical wiring is tucked inside the canopy and that the wires are not damaged during this step. Secure the canopy to the hanger bracket using the screws provided.

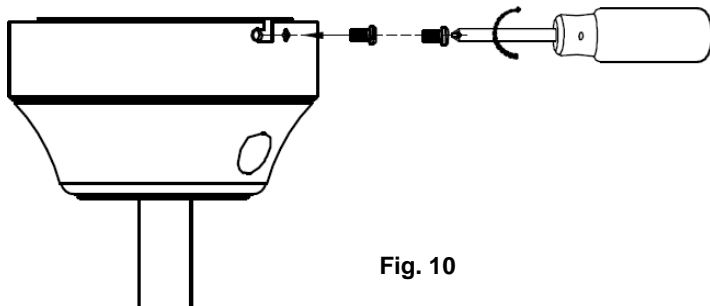
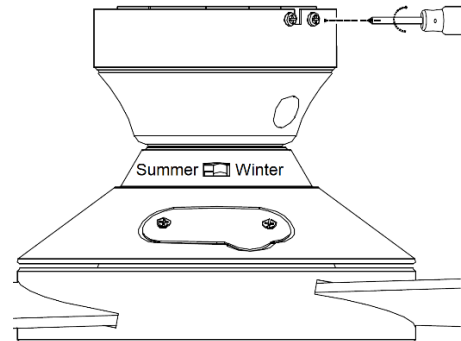


Fig. 10



- Switch ON mains power supply to the fan. Test the fan operations or enjoy using the fan following instructions the under “USING YOUR CEILING FAN” section of this instruction manual.

## USING YOUR CEILING FAN

### BATTERY INSTALLATION IN THE REMOTE CONTROL (Fig. 11)

Your ceiling fan is controlled by the remote control. Before operating the remote, the following must be considered.

- 1x CR2032 3V battery is required to operate the remote control.
- Pull out the battery tray (2) by pressing the clip (1) and pulling out the battery tray together.
- Place the battery (3) on the tray (2) and insert the tray back into remote hand set (4) indicated by “+” polarity symbol (5).
- Ensure the polarity is correct as shown in the battery compartment.

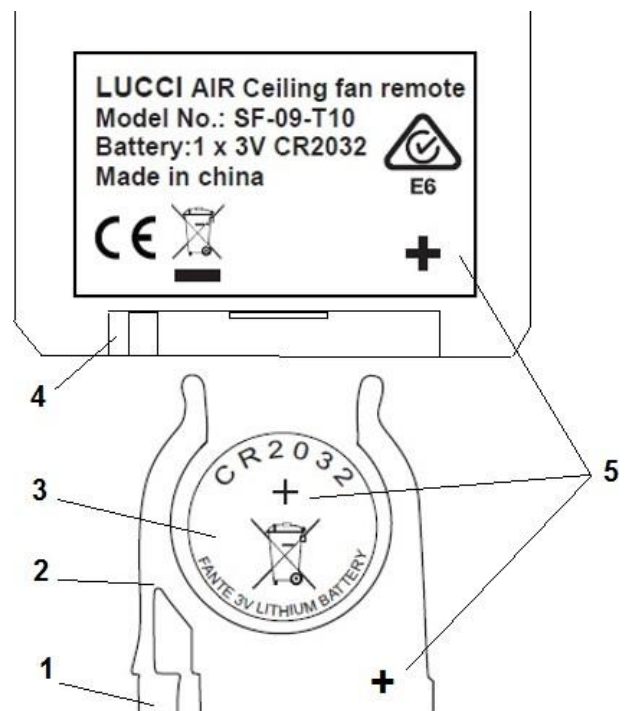


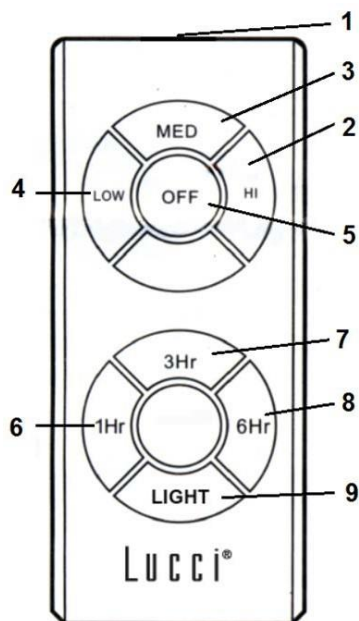
Fig. 11





## OPERATION OF THE REMOTE CONTROLLER (Fig. 12)

Before you start using the remote, take the time to read through this section and get familiar with the buttons and function of each button.

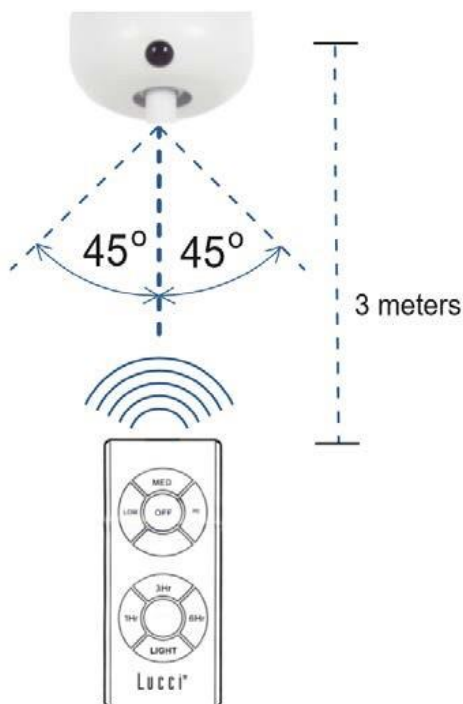


1. **IR TRANSMITTER**
2. **HI** button: Press the button to set fan running at High speed.
3. **MED** button: Press the button to set fan running at Medium speed.
4. **LOW** button: Press the button to set fan running at Low speed.
5. **OFF** button: Press the button to turn OFF the fan.
- 6 / 7 / 8. **1Hr / 3Hr / 6Hr** fan timer button: Press the button to activate the fan timer function, the fan will turn off after running 1 hour / 3 hours / 6 hours.
9. **LIGHT** button: Press the button to turn ON/ OFF the light.

**Fig. 12**

The remote has memory function. If the fan or light is turned off by the isolating switch, it will memorise and recover the last status when turned on next.

## EFFECTIVE DISTANCE/LOCATION FOR IR REMOTE CONTROL (Fig. 13)



Left from center-line: Approximately 45 degrees

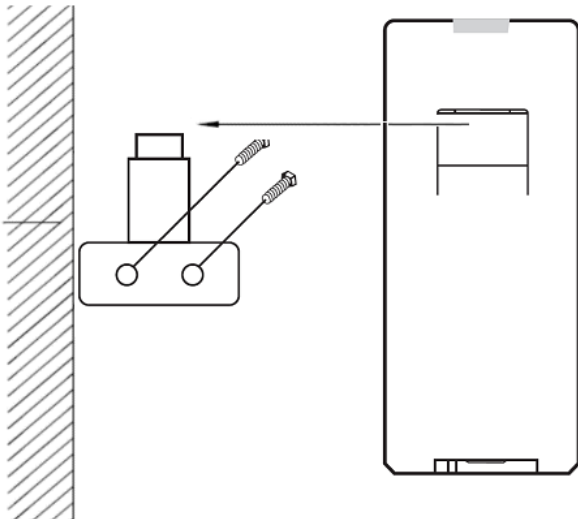
Right from center-line: Approximately 45 degrees

Distance from remote control to receiver: 5 meters max.

**Fig. 13**



## **INSTALLATION OF THE REMOTE HOLDER (Fig.14)**



Install the remote holder onto the wall by the two screws provided. Place the remote controller onto the holder.

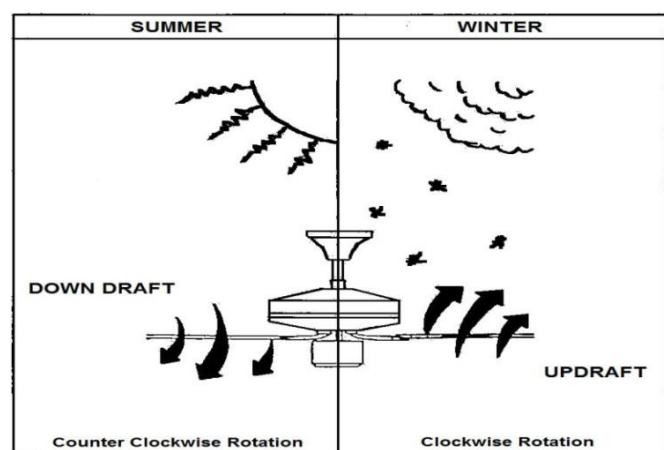
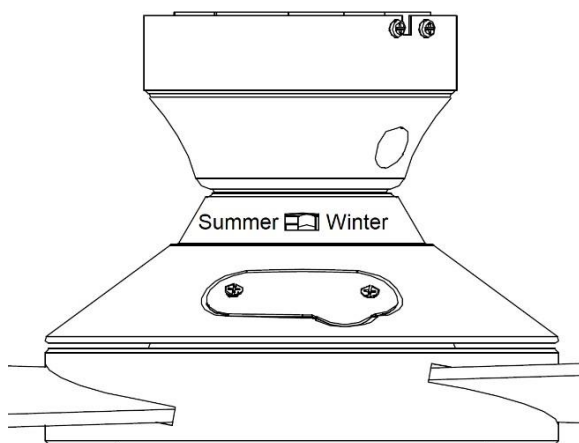
**Fig. 14**

## **REVERSE FUNCTION (Fig. 15)**

Your ceiling fan can operate either in fan mode or reverse fan mode.

**SUMMER** Mode: The reverse switch should be in the SUMMER position to make the fan rotate in the anticlockwise direction. The airflow will be directed downwards, for cooling in summer.

**WINTER** Mode: The reverse switch should be in the WINTER position to make the fan rotate in clockwise direction. The airflow will be directed upwards, for energy conservation in winter.



**Fig. 15**



## AFTER INSTALLATION

### **WOBBLE:**

**NOTE:** ceiling fans tend to move during operation due to the fact that they are mounted on a rubber grommet. If the fan was mounted rigidly to the ceiling it would cause excessive vibration. Movement of a few centimetres is quite acceptable and DOES NOT suggest any problem.

**TO REDUCE THE FAN WOBBLE:** Please check that all screws which fix the mounting bracket and down rod are secure.

**BALANCING KIT:** A balancing kit is provided to balance the ceiling fan on initial installation. Please refer to the instruction on how to use the balancing kit. The balancing kit can be used to assist re-balancing should the ceiling fan become un-balanced again. Store your balancing kit away after installation for future use if required.

### **NOISE:**

When it is quiet (especially at night) you may hear occasional small noises. Slight power fluctuations and frequency signals superimposed in the electricity for off-peak hot water control, may cause a change in fan motor noise. This is normal. Please allow a 24-hour “settling-in” period, most noises associated with a new fan disappear during this time.

The manufacturer’s warranty covers actual faults that may develop and NOT minor complaints such as hearing the motor run – All electric motors are audible to some extent.

## CARE & CLEANING

**NOTE:** Always turn OFF the power at the mains switch before performing any maintenance or attempting to clean your fan.

- Every 6 months periodic cleaning of your ceiling fan is the only maintenance required. Use a soft brush or lint free cloth to avoid scratching the paint finish. Please turn off electricity power when you do so.
- Do not soak or immerse your ceiling fan in the water or other liquids. It could damage the motor or the blades and create the possibility of an electrical shock.
- Ensure that the fan does not come in contact with any organic solvents or cleaners.
- To clean the fan blade, wipe with only a damp clean cloth with NO organic solvents or cleaners.
- The motor has a permanently lubricated ball bearing so there is no need to oil.



## SAFETY PRECAUTIONS FOR BATTERY

**WARNING** – Keep new and used batteries away from children.

**CAUTION** – Do not ingest battery—Chemical burn hazard.

- To prevent false operation during battery insertion or replacement, the ceiling fan must be disconnected from the supply mains.
- Battery must be removed from the remote transmitter before it is discarded.
- Always use Lithium CR2032 battery type with this ceiling fan remote controller.
- Dispose of exhausted batteries immediately and safely (so they cannot be retrieved by children). Flat batteries can still be dangerous. Contact your local council to safely dispose of the battery.
- Ensure the batteries are inserted with the correct polarity.
- Do not use rechargeable batteries in this product.
- Regularly check the product and make sure the battery compartment is correctly secured. If the battery compartment does not close securely, stop using the product and keep it away from children.
- Remove batteries from the product when not in use for long periods of time.
- If you think batteries might have been swallowed or placed inside any part of the body, seek immediate medical attention.
- If you suspect your child has swallowed or inserted a button battery, call the emergency number of your country if you are in Europe for fast, expert advice.
- Battery Leaks: Battery contains chemicals and should be treated as any chemical would. Take precautions when handling leaked battery chemicals. Battery chemicals should not be placed near the eyes or ingested, call the emergency number of your country if you are in Europe for fast, expert advice.

## TECHNICAL INFORMATION

Fan Models	AIRLIE HUGGER 36IN FAN WITH LIGHT
Rated Voltage	220-240V~ 50Hz
Rated Wattage (Motor)	45W
Rated wattage (Lamp)	2x MAX.15W CFL Spiral or LED Bulbs, E27, not included
Weight	5.4kg
Canopy Dimensions	H:75mm Dia:130mm

## WARRANTY INFORMATION

**IN EUROPE** – If you are a European customer please contact the retail outlet where the fan was purchased for warranty service.



**Contact:**

**Beacon International Ltd**

Hong Kong Head Office: Room 05, 18/F, Kimberland Center, 55 Wing Hong Street, Cheung Sha Wan Kowloon, Hong Kong

Tel +852 34915904 Fax +852 34915917

China showroom / Office: 11/FI, Guzhen Lighting Building B, Mid Zhongxing Road, Guzhen, Zhongshan, Guangdong, China.

Tel: +86 760 8986 6388 Fax: +86 760 8986 6380

info@beaconinternational.com

www.beaconinternational.com

**Beacon Lighting Europe GmbH**

Campus Fichtenhain 42, 47807 Krefeld, Germany

TEL +49 (2151) 325 82 39 FAX +49 (2151) 325 70 65

sales@beaconlighting.eu

www.beaconlighting.eu

